

Crane Systems

www.nikocranes.com

Product Overview

- | Light Cranes and Monorails
- | Power Feed systems
- | Jib Cranes
- | Fall Protection Systems
- | Scaffolding Runways

SCAN ME



NIKO
CRANE SYSTEMS



NIKO, The Manufacturer You Can Rely On

NIKO Group

NIKO is an international, family-founded company with more than 50 years of experience in the design and manufacture of handling and sliding systems. The company's product portfolio spans the full spectrum of **"Quality in motion"**: Sliding door hardware, light crane systems, manual and semi-automatic overhead conveyor systems, personal fall arrest solutions, as well as festoon and power feed systems.

Close to You Worldwide

With direct presence in 7 countries and partners in over 60, you benefit from a global network that understands your market's standards and regulations.

Crane Systems Expertise

NIKO Crane Systems leads the NIKO Group's crane business, building on the engineering heritage of Helm Hellas S.A. The unit designs and manufactures ergonomic, modular crane systems for loads up to 2,000 kg, supporting demanding industrial environments including **Automotive, Pharmaceuticals and Food industries**.

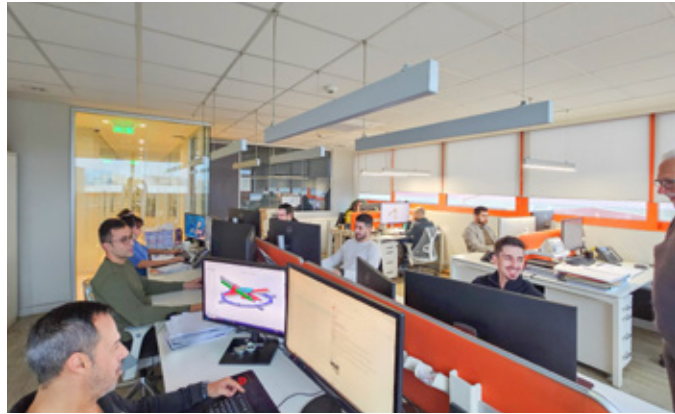
With solutions ranging from freestanding and ceiling mounted cranes to mobile gantries and jib cranes, our systems are modular, customizable, and ideal for demanding applications where safety, efficiency, and reliability matter most.

NIKO Subsidiaries



We Design With You

Our engineering team works closely with you to design the optimal crane solution for each application. From load calculations and crane configuration to mounting options and system integration, we deliver lifting solutions that work reliably from day one.

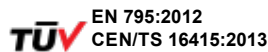


We Manufacture In-House

Driven by the motto “**Design. Manufacture. Market**”, NIKO controls every step from designing and engineering to production, ensuring consistent quality at the right price and the flexibility to respond quickly to special requirements.

Certified Quality & Testing

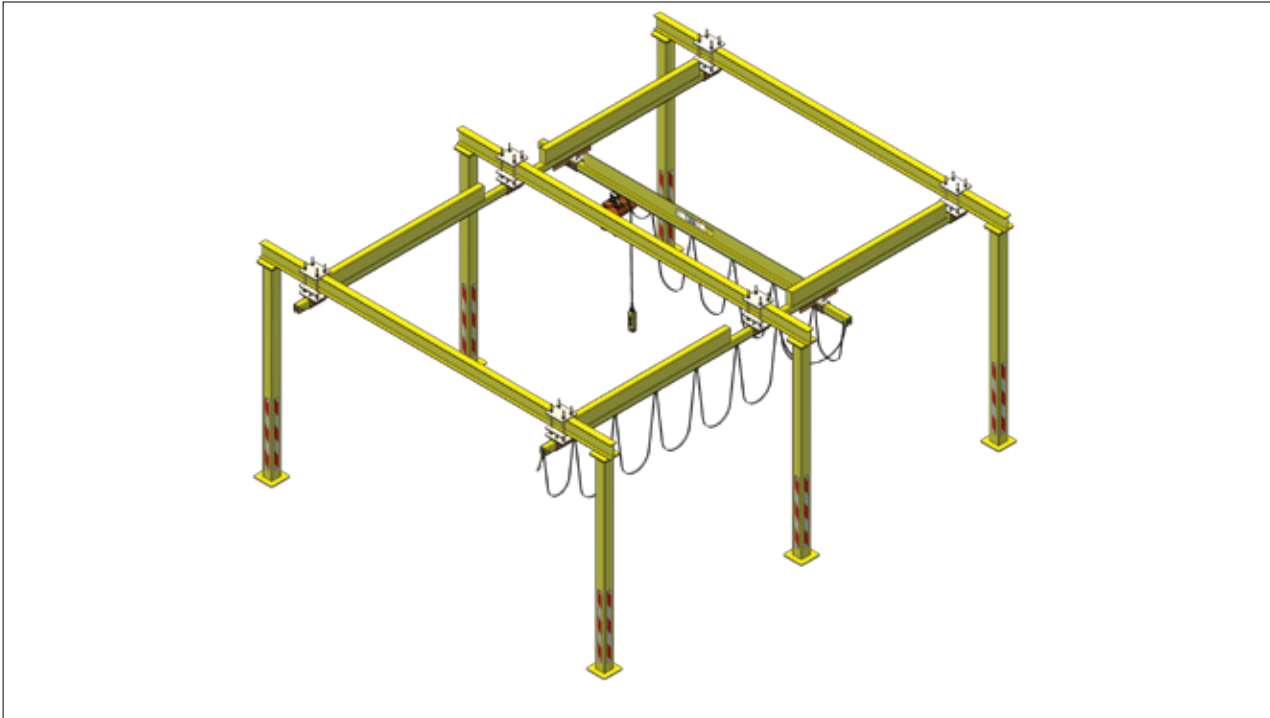
Operating under ISO 9001 and ISO 14001, we apply strict in-house testing at every stage. The result: systems designed for long service life, safety and stable performance in demanding industrial environments.



Life-Cycle Support

Our sales and technical teams remain at your disposal for fine-tuning, maintenance and future extensions, training and documentation. That means we support you throughout the entire journey.

NIKO Light Cranes – A versatile and economic solution for loads up to 2.000 kg and 10 meter bridge length



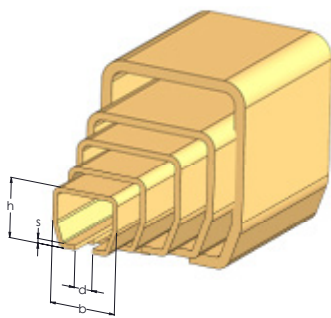
NIKO Light Crane System provides an ergonomic and cost effective solution to conventional overhead crane systems, particularly when there is a height and space restriction. Versatile and reliable overhead handling can be achieved for a variety of applications using the NIKO modular design. The robust design of our components and the high standards of manufacturing guarantees long life with little or no maintenance requirements.

Main Characteristics

- ✓ Loads up to **2.000 kg**
- ✓ Bridge lengths up to **10 meters**
- ✓ Modular design enables extension, modification and relocation
- ✓ Cost effective
- ✓ Easy to install using a variety of supporting brackets.
- ✓ Large range of mounting options
- ✓ Latching capability enables interconnection with existing or new conveyor or monorail systems
- ✓ Telescopic cantilever crane bridges and monorails
- ✓ Manual or electric travel
- ✓ Floor or ceiling mounted cranes.
- ✓ Gold/silver zinc or powder coated finish
- ✓ Competitive delivery time
- ✓ More flexible /bespoke solutions

NIKO Track Profiles

The NIKO enclosed track tapered design ensures correct alignment of the trolleys and reduces the possibility of dust build up. This facilitates free and smooth running of the trolleys and a long life of the crane. NIKO light cranes require only 1-3% horizontal force to move the load being lifted. For use in aggressive environments we can also offer Niko Cranes in stainless steel grade 304 & 316.



N I K O Profil No.	Dimensions			
	h (mm)	b (mm)	d (mm)	s (mm)
21.000	28,00	30,00	8,00	1,75
23.000	35,00	40,00	11,00	2,75
24.000	43,50	48,50	15,00	3,20
25.000	60,00	65,00	18,00	3,60
26.000	75,00	80,00	22,00	4,50
27.000	110,00	90,00	25,00	6,50



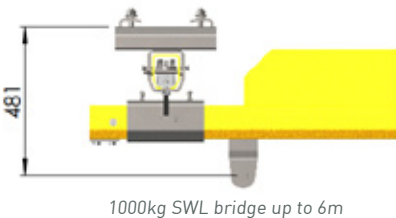
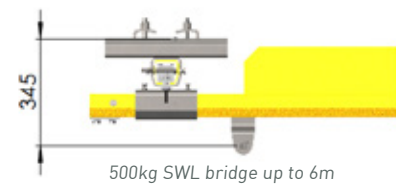
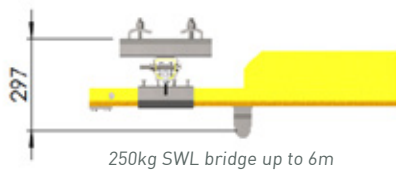
Better headroom with NIKO rails

Light crane headroom

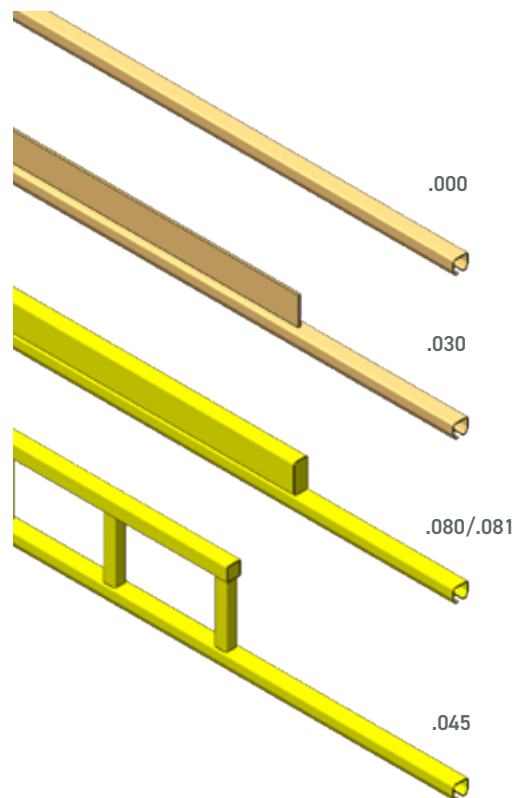
NIKO standard light cranes have considerably lower headroom than the competition. To create bigger spans reinforcements are added - these will fit up between the support steels and between the runways for the bridge.

All manufacturers will offer a lower headroom solution, this is often double girder which is heavier, restricts travel and incurs more cost. NIKO can offer raised headroom systems which will allow you to mount the hoist within 100mm of the lowest obstruction.

Profile headroom Specification



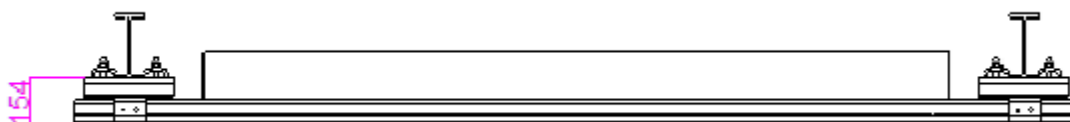
NIKO Steel Profiles



Runway Headroom

NIKO runways also save headroom over other manufacturers. Raised bridges will lift the hoist up but it does not change the runway heights. Where the headroom is extremely low, the more compact NIKO track can save the extra space. This can be enough to allow the user to walk underneath with no fear of banging their head.

Welding the track or flat plate brackets can reduce the headroom even more.



Example of a 500kg crane runway or monorail

NIKO Light Cranes | Freestanding

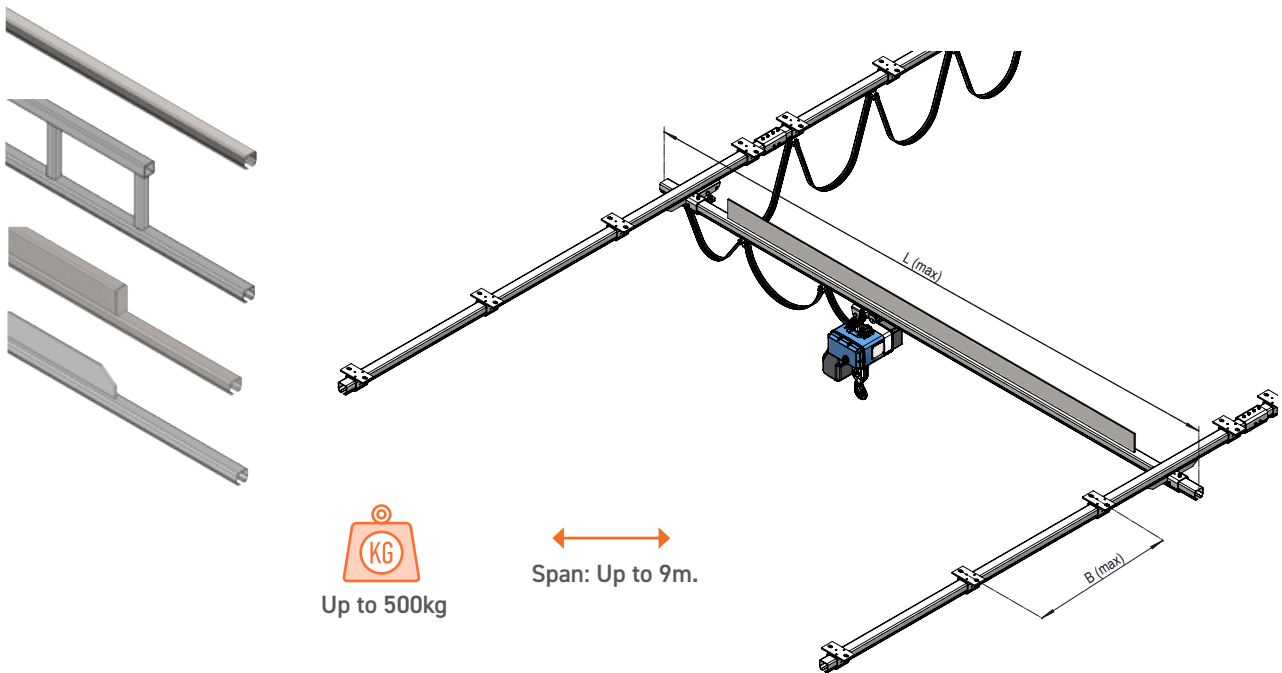


NIKO Light Cranes | Ceiling mounted



NIKO Stainless steel profile crane - Series 304/316

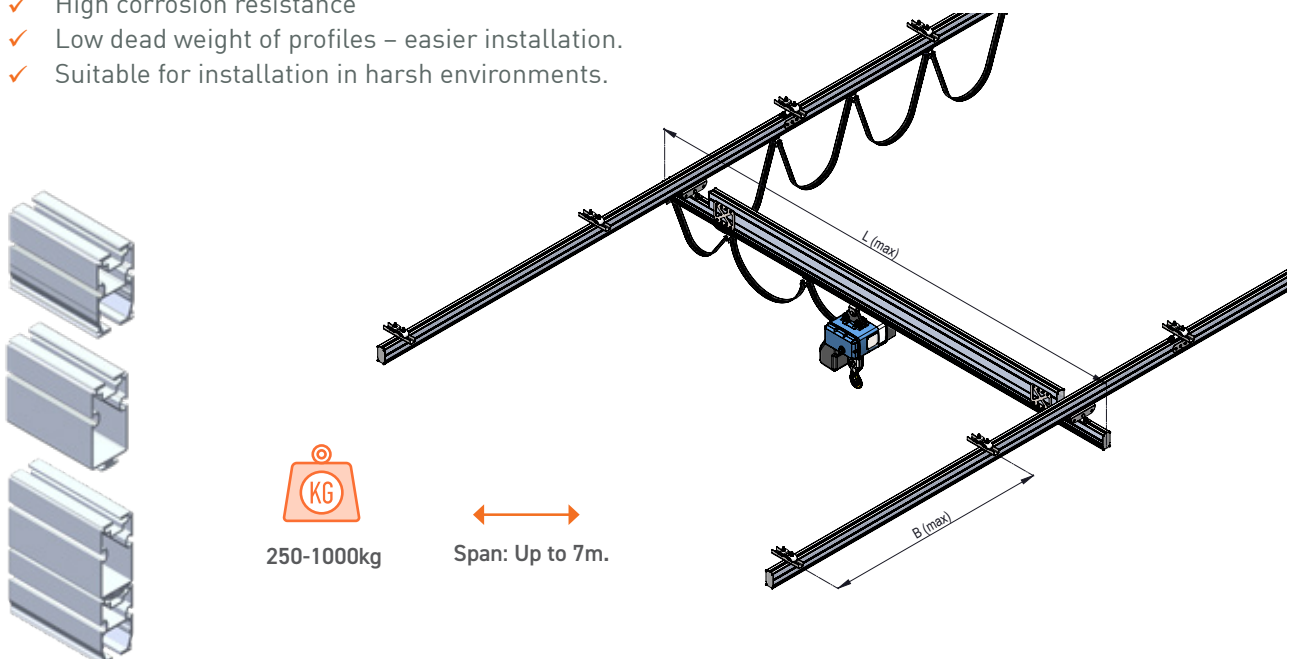
NIKO stainless steel light cranes are used in industries like pharmaceutical and fine chemical industries. They are also being applied in corrosive environments, or in areas that are frequently washed or disinfected (such as in food processing).



NIKO Aluminium profile crane

The perfect alternative to every light material handling need! The light weight and the robust design of our aluminium crane offer an easy installation and a weightless feel of the load during the movement. A big advantage of the NIKO aluminium system it can be stocked and no fabrication is required. The reinforced sections slot into the existing rail and are secured with bolts. Rails can be cut the required length and the end caps can still be fitted.

- ✓ Lower noise level during operation.
- ✓ High corrosion resistance
- ✓ Low dead weight of profiles – easier installation.
- ✓ Suitable for installation in harsh environments.



NIKO Light Cranes variations

1. A-frame mobile gantries



250-3.000kg



Span: 1-6m.



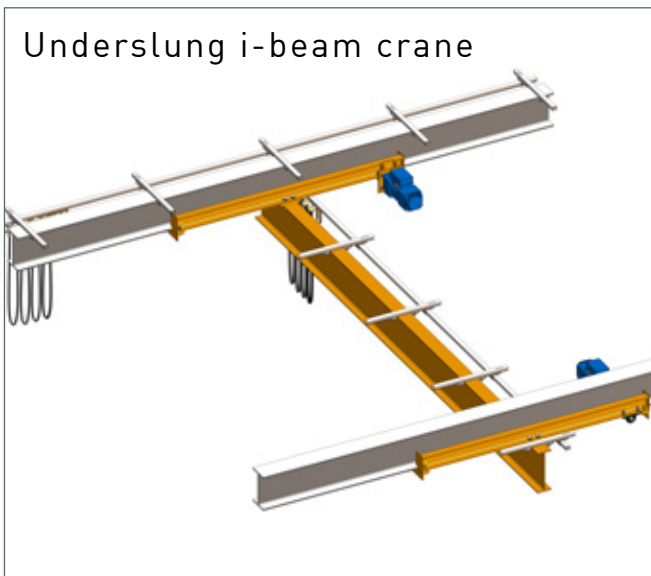
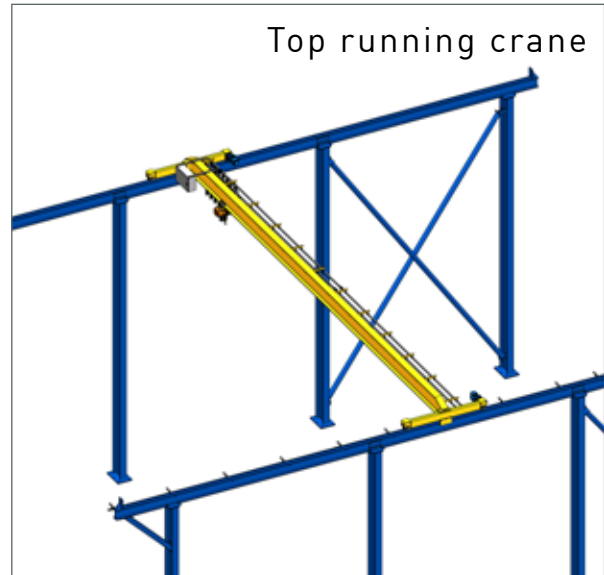
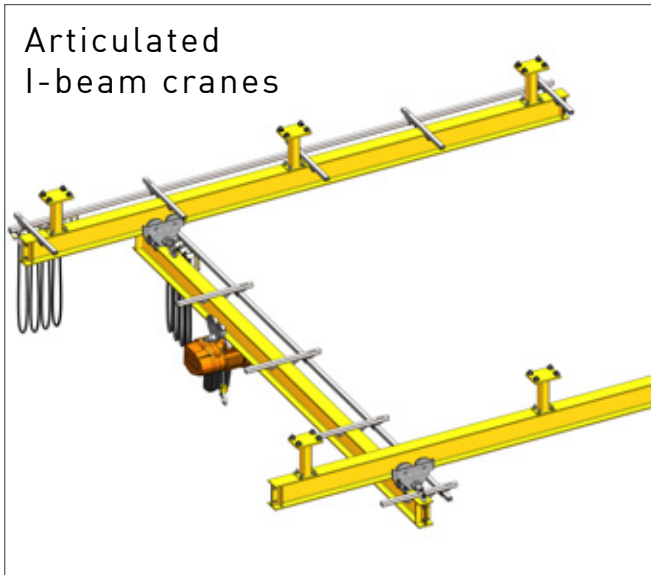
Manual or electric lifting

- ✓ Not fixed to one application, the A-frame can be moved to different locations.
- ✓ Can be used when there is no space for a permanent structure.
- ✓ Fixed or Mobile.
- ✓ I-beam or Profile.
- ✓ Height to under beam 1000-4000mm.
- ✓ Hoist travel: Manual, Geared, Electric.
- ✓ Nylon or Rubber tyre wheels.
- ✓ Material: Steel / Stainless steel.



NIKO Light Cranes variations

2. I-Beam Cranes



- ✓ Overhead travelling cranes can move larger loads with a great deal of control.
- ✓ Geared travel cranes can move larger loads when a power supply is not available and the load is too heavy for a manual system.
- ✓ Indoor or outdoor use.
- ✓ Freestanding or ceiling mount options.
- ✓ Yellow powder coat finish / galvanised.
- ✓ All powered end carriages are inverter driven.
- ✓ Radio and pendant control available.



250-2.000kg



Spans 2-10m.



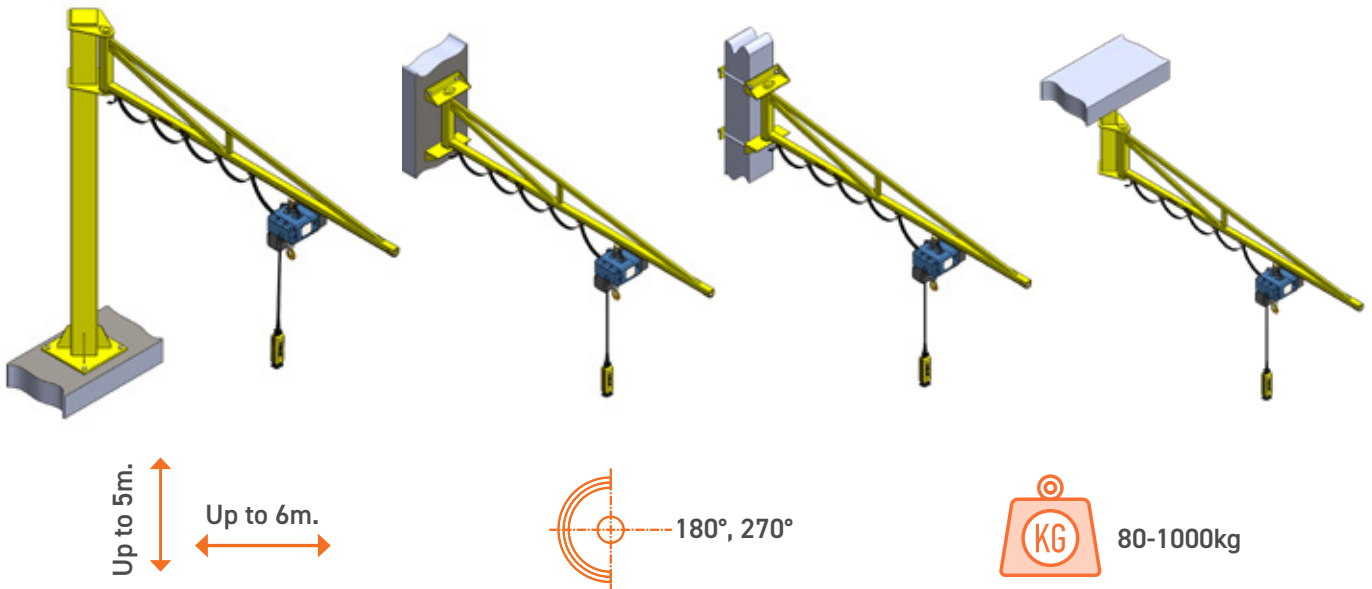
Manual or
electric travel

Jib Crane variations

Overbraced (OB) NIKO Profile Jib cranes

NIKO manufactures and supplies a wide range of different types of jib cranes, that can be freestanding, clamped around an existing column or bolted directly onto a wall.

Comprising of various arm types, NIKO jib cranes are built to customer requirements to ensure they fully satisfy the customers lifting requirements.



Advantages

- ✓ Made to order, no costs for excess steel or cutting.
- ✓ Free and easy to operate.
- ✓ Low maintenance.
- ✓ Lubrication-free bearings used on majority of jib arms.
- ✓ Base fabricated directly to pillar and therefore expensive foundation frames are not required.

Our jib cranes are provided with the compatible manual or electric hoist upon request.

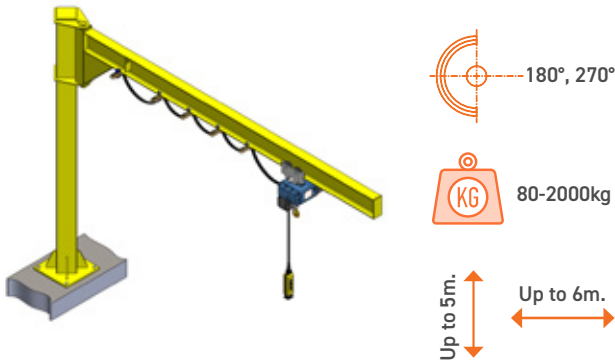
Special applications of Jib cranes

We can provide other types of jib cranes including articulated jib cranes, under-braced NIKO track profile, telescopic arms or ceiling mounted Jib Cranes. These are normally bespoke fabrications designed to meet very specific non-standard requirements.

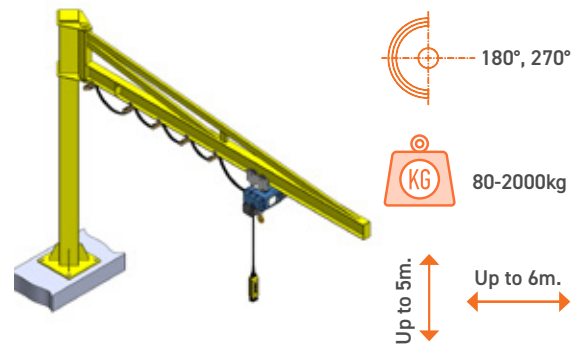
Articulated Jib cranes

In articulated jib cranes, the arm is made in 2 sections. The 2 arm sections pivot at the joint and therefore allow the arm to cover an almost complete 360° slewing arc.

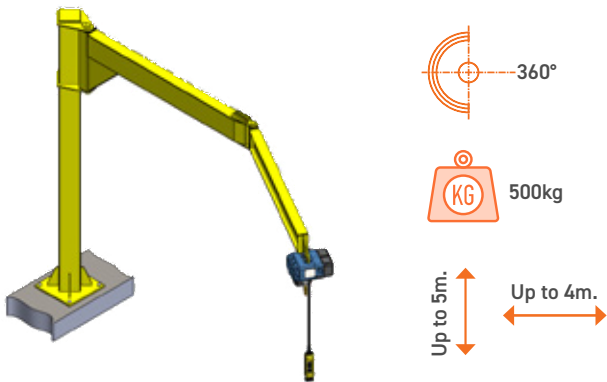
Under-braced (UB) I-beam jib cranes



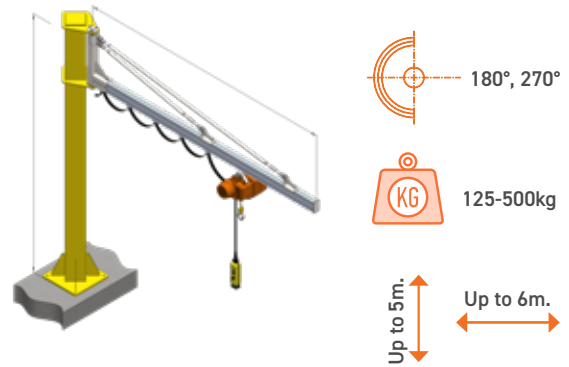
Over-braced (OB) I-beam jib cranes



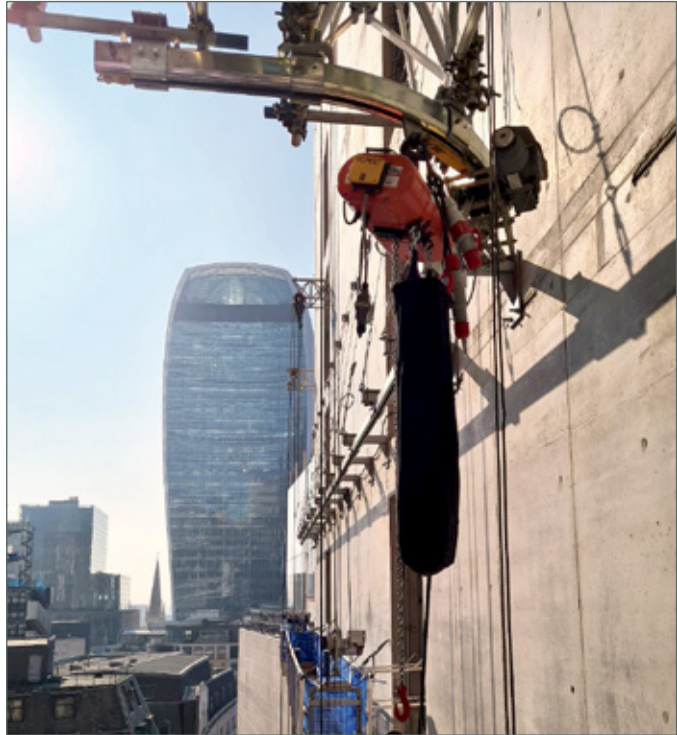
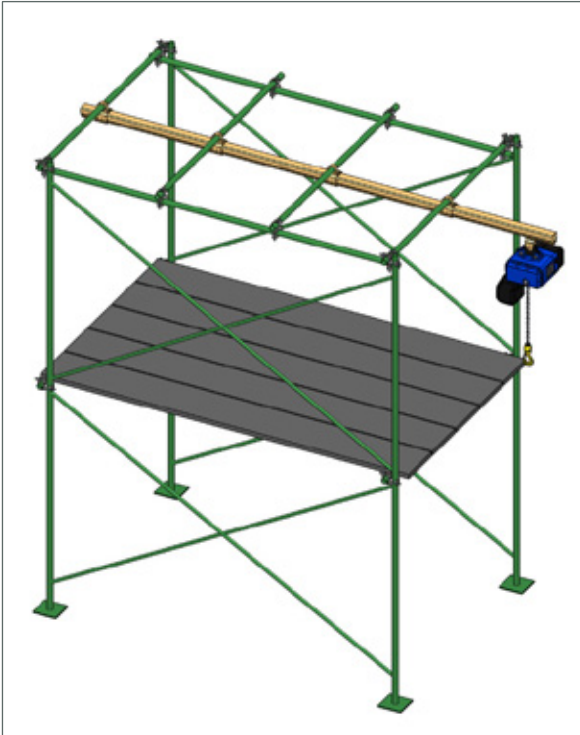
Articulated jib cranes



Aluminium Profile Jib cranes



NIKO Scaffolding Runway System



- ✓ The profile design is light, fast and simple to install.
- ✓ Permanent or temporary installation.
- ✓ Lighter than traditional I-beam solutions.
- ✓ Ergonomic material handling with the free running profile tracking.
- ✓ Reduces costs on a construction site; can perform tasks which usually require a tower crane.
- ✓ Due to the modular nature of the system it can be extended or shortened with off the shelf components.
- ✓ Can be used in tight areas which are not normally accessible with a standard crane.
- ✓ Cantilever off scaffolding to enable goods to be picked up from ground level.



0-2.000kg



Supplied in 3m. length



Manual or electric travel

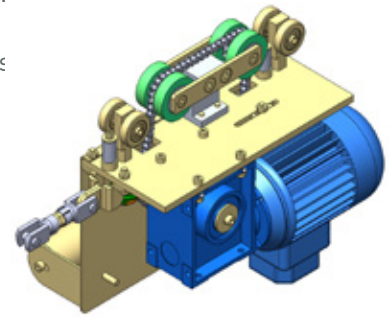
Powered or Manual travel:

Manual travel should always be the default for light crane systems, this takes advantages of the smooth free running characteristics. Differences between manual and powered cranes:

- Manual cranes will move as fast as the user.
- Smooth operations, no abrupt braking or ramp up or down on inverters
- Manual systems are a cheaper investment
- Less chance of downtime with fewer electrical parts
- Lower maintenance costs
- Less chance of collision as the user walks with the load

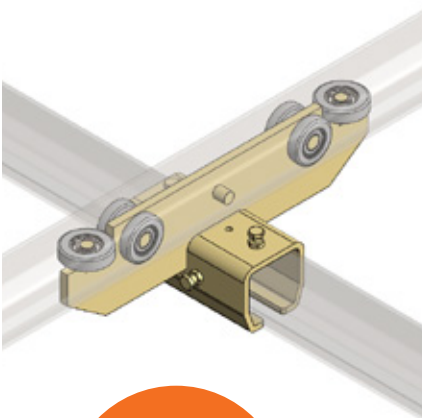
When to use powered travel:

- Moving heavier loads over 1000kg
- Moving larger loads where the load is difficult to maneuver
- When loads needs to be lifting over obstruction or out of reach of the u










NIKO Bearings Trolleys

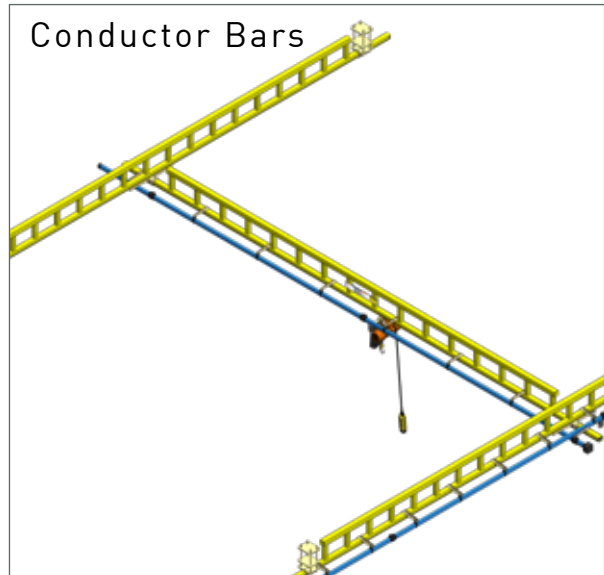
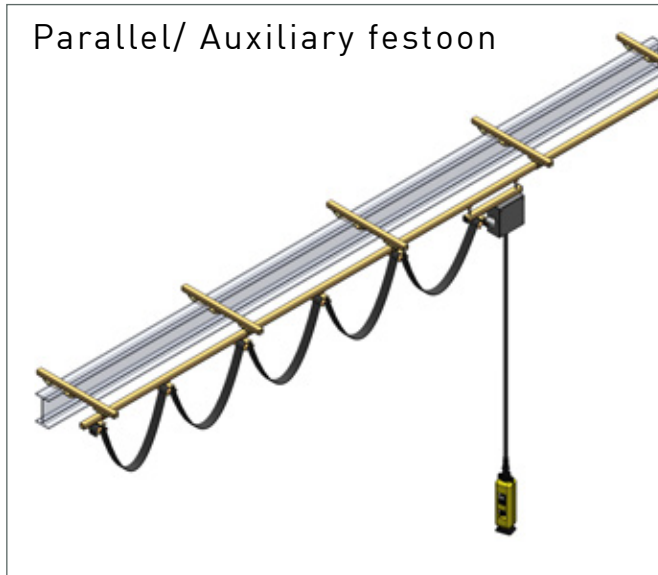
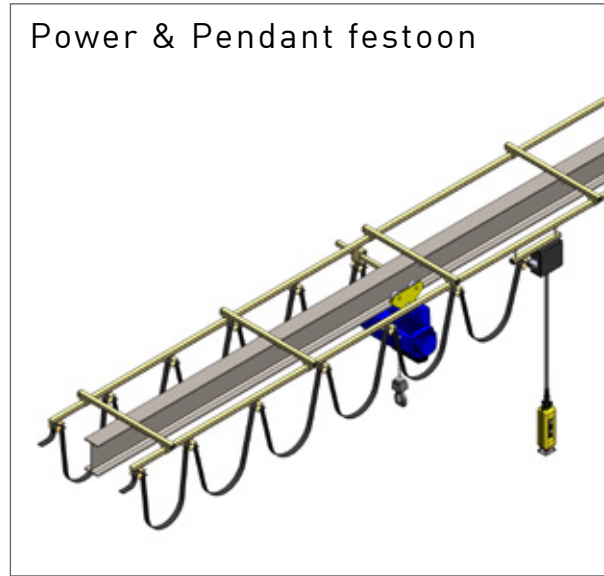
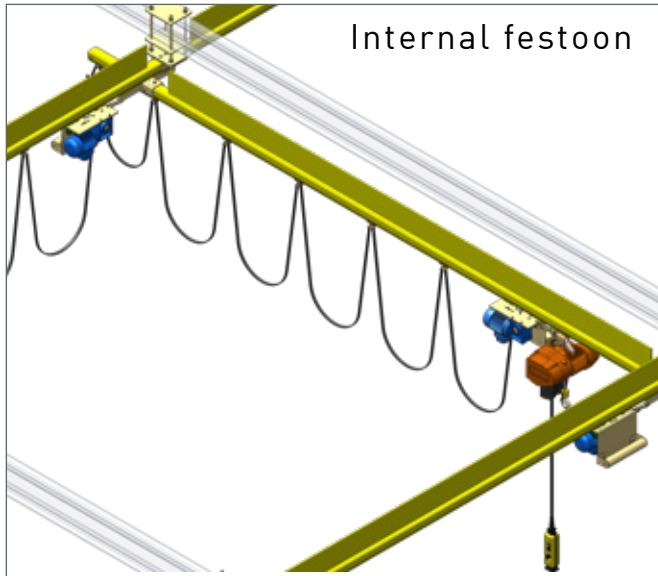
NIKO End carriages and trolleys can be easily equipped with a variety of bearings options, from low temperatures to high, heavy duty polyamide to stainless steel and special environments.



PLN Bearings
 ✓ smoother running
 ✓ more silent

Low temperature bearings (special grease) for operating temperatures from -45°C to 120°C	TL.	
High temperature bearings (special grease) for operating temperatures from -20°C to 260°C	TH.	
Nylon tyred bearings	PL.	
Heavy duty polyamide tyred bearings	PLN.	
Ammonia resistant bearings (special grease) for operating temperatures from -15°C to 130°C	AM.	
Stainless steel bearings for operating temperatures from -20°C to 80°C	IN.	
Phosphor bronze tyred bearing	PB.	

Festoon Systems and Conductor bars



NIKO Festoon Systems are:

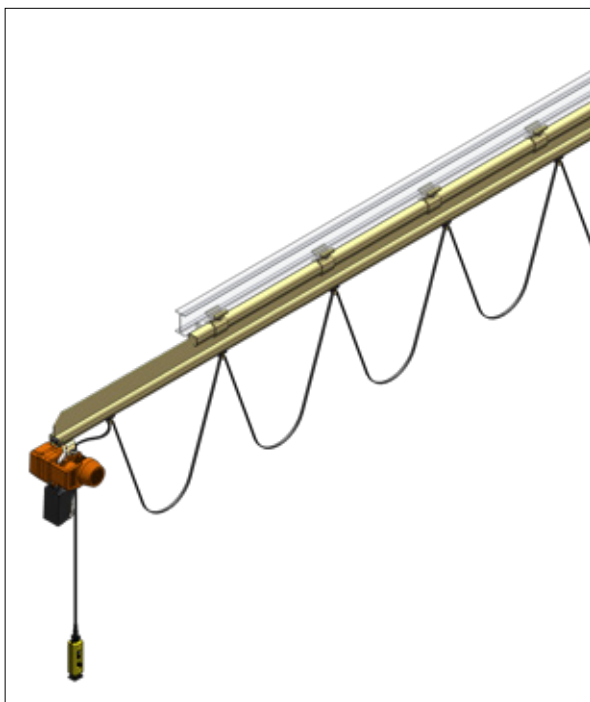
- ✓ Simple to install.
- ✓ More robust than catenary taut wire cable festoon system.
- ✓ Free running in operation.
- ✓ High safety factor.
- ✓ Low maintenance.
- ✓ The NIKO range comprises of 5 track systems to suit varying weights and quantities of cable or hose.

Conductor Bars:

- ✓ Unhindered travel length – no cable bunch up at feed end.
- ✓ Ability to feed more than 2 machines at the same time.
- ✓ No limit to the length of the system.
- ✓ Very quick and easy to install.
- ✓ Can be fed from an end or at any joint.
- ✓ Ideal for space constrained areas due to compact housing size.

NIKO Light Cranes options

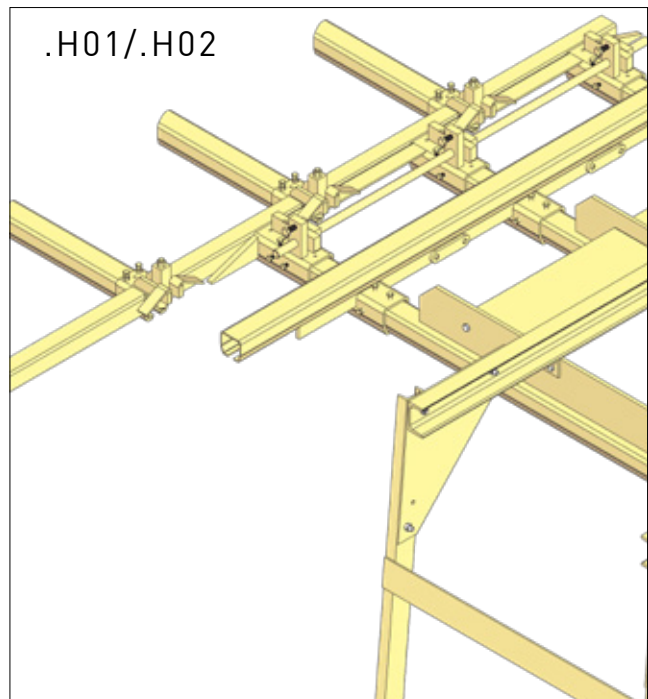
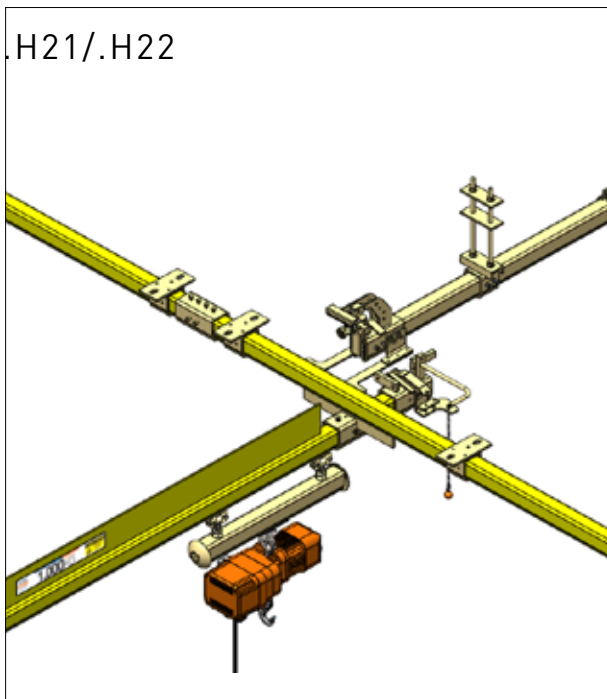
1. Telescopic cantilever crane and monorail



- ✓ Cover a wider area than the supporting structure permits.
- ✓ Telescopic cantilever cranes are also possible, which are often installed in containers, trucks and vans. This facilitates overhead lifting and loading from outside and into the vehicle.

NIKO Light Cranes options

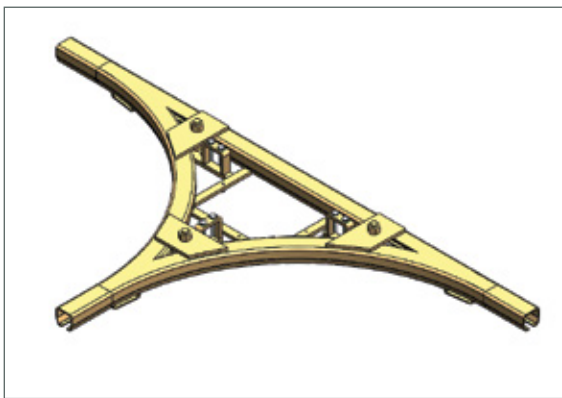
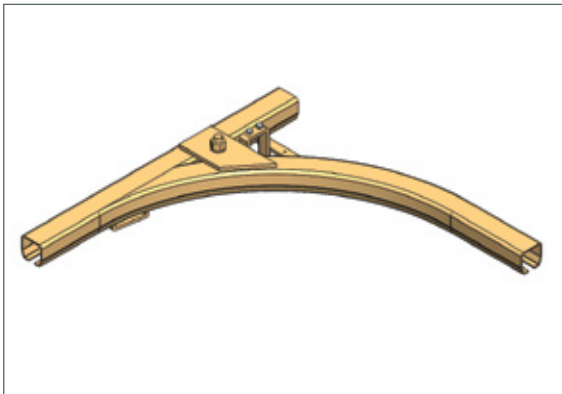
2. NIKO interlocks (Latching devices)



- ✓ Interlocks/latching devices are used to connect a crane with another crane or an extended conveyor system.
- ✓ The load carrying trolley is transferred safely from one system to the other.
- ✓ Only when the bridge and the monorail are linked, the trolley stops unlock, allowing the passage of the carrying trolleys.
- ✓ The loads are moved to separate rooms or work stations.

NIKO Light Cranes options

3. NIKO Monorails with switches & bends



✓ NIKO conveyor systems can be used in a variety of applications utilising more than 2.000 components such as switches and turn tables.

✓ In swivel switches, the switch tongue leads the trolleys in different directions. When a trolley passes through, the tongue switches to the other direction.

✓ Switch with 90° Bend or two bends.

✓ Manual or Automatic swivel switches.



up to 2.000kg



Minimal space requirements



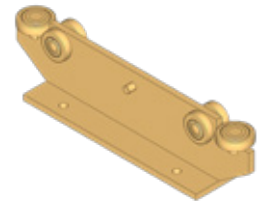
Can be powered

NIKO Light Cranes Applications

Manipulators / Vacuum lifters

NIKO compact track profiles are ideal for this type of application. The rigid mounted NIKO track is perfect for a manipulator with an offset load, the track will not rock, articulate or crab diagonally.

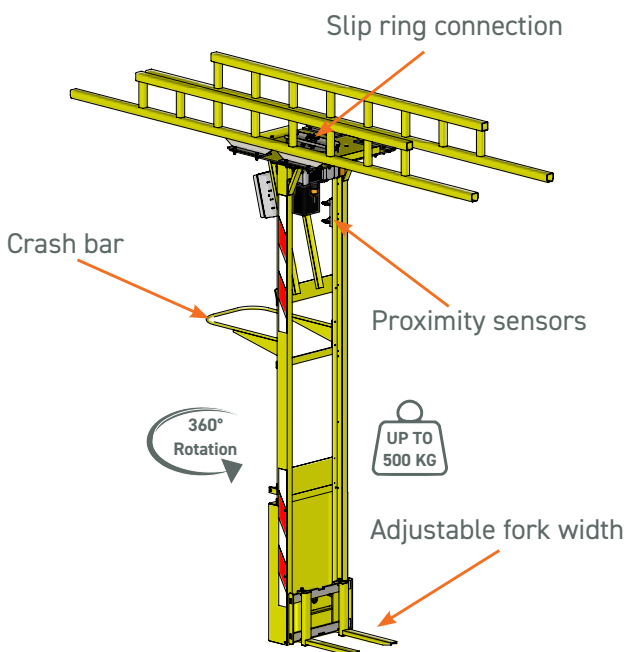
✓ NIKO have trolleys to suit most applications due to being active in the light crane, conveyor and sliding door markets. We can add anti-kick wheels to existing trolleys or work with you to provide a bespoke design.



End carriage .T51



NIKO Stacker Crane



NIKO Light Cranes Applications

Tool Suspension

NIKO rigid track can be utilised for tools suspension applications like suspending tool balancers, air balancers, hoists or other equipment. NIKO track system has a significant advantage especially in automotive industry, where accurate load positioning is essential.

- ✓ Perfect for automotive applications
- ✓ Your partner in assembly lines
- ✓ Rigid construction system allows for steadier travel of loads
- ✓ Rigid construction system allows for more accurate load positioning
- ✓ With the rigid construction of NIKO track system, the likelihood of crabbing on bridge travel is considerably reduced



AUSTRIA-
NIKO Vertriebs GmbH
Hainfelder Straße 48
A - 2560 Berndorf
Tel. 0043 (0) 2672 21201
Fax 0043 (0) 2672-21201-13
office.at@niko.eu.com
www.niko.world

POLAND-
NIKO Polska
Skrzynno 192a
Ostrowek 98-311
Tel. +48 504 003 556
info.pl@niko.eu.com
www.niko.world

GREECE-
Helm Hellas S.A.
82nd Km Athens-Korinthos
P.O. Box 209
GR - 201 00 KORINTHOS
Tel. 0030 27410 76800
Fax 0030 27410 25368
info@niko.eu.com
www.niko.eu.com

NIKO Conveyors
597 Middle Street
Bristol, CT 06010
Tel. 001 860-845-8179
info@NIKOconveyors.com
www.nikoconveyors.com

NikoTrack/NIKO US
9 Stockholm St,
Newport RI 02840
C: 401-835-8640
info@nikotrack.com
www.nikotrack.com

CANADA -
NIKO Crane Canada
615, rue du Nickel
Québec (Québec) G2N 0J9
Tel. 418 841-2287
info@smakdesign.ca
www.smakmanutention.com

UNITED KINGDOM-
NIKO Ltd
Airfield Park Business Park
Welsh Road East, Southam
Warwickshire, CV47 1NE
Tel. 0044 (0) 1926 813111
Fax 0044 (0) 1926 815599
Sales@niko.co.uk
www.niko.co.uk

USA Light Crane Systems-
NIKORAIL
8000 Joliet Rd.
McCook, IL 60525
Toll Free 888.352.1213
Tel. 001 708-352-1213
sales@hsicrane.com
www.nikorail.com

GERMANY-
NIKO Technik GmbH
Borsigstr. 17d
DE - 42551 Velbert
Tel. 0049 (0) 2051 4949320
Fax 0049 (0) 2058 9093604
office.de@niko.eu.com
www.niko.world

CHINA-
NIKO TRADING (SHANGHAI) Co., Ltd
Room 901-156, No.18
Tianshan Road, Changning District,
P.R.China - 201802 Shanghai
Tel. 0086 134 2785 9785
info.cn@niko.eu.com

NIKO
CRANE SYSTEMS

Version January 2026

Request the Technical Catalogue for more information

info@nikocranes.com | www.nikocranes.com